

# CSP-750IR24

Miniature Infrared Bullet Security Camera

- ▶ Sony Super HAD II CCD
- ▶ 750 TVL Ultra-High Resolution
- ▶ Infrared Day & Night w/ 24 LEDs
- ▶ Weatherproof (Indoor / Outdoor)
- ▶ 3.6mm Fixed Wide-Angle Lens



## CAMERA SPECIFICATIONS

<b>Image Sensor</b>	1/3" Sony Effio-A DSP
<b>Sensor Area</b>	4.9mm x 3.7mm
<b>Effective Pixels</b>	976 (H) x 494 (V)
<b>Signal System</b>	NTSC
<b>Resolution</b>	750 TVL
<b>IR LED</b>	24 Pieces (5mm Diameter Per Piece)
<b>IR Distance</b>	Up To 100 Feet
<b>Minimum Illumination</b>	0 Lux (with IRs ON)
<b>Electronic Shutter Speed</b>	1/60 ~ 1/100,000 Second (Auto)
<b>S/N Ratio</b>	More Than 50 dB
<b>Lens</b>	3.6mm Fixed Wide-Angle Lens
<b>IP Rating</b>	IP66
<b>Sync System</b>	Internal Synchronization
<b>White Balance</b>	Auto Tracking White Balance
<b>Backlight Compensation</b>	Auto Backlight Compensation
<b>Video Output</b>	Composite BNC
<b>Power Consumption</b>	Less Than 3.6 Watts
<b>Power Supply</b>	12 Volt DC, 1 Amp
<b>Camera Dimensions</b>	6.38" (Maximum Length) x 2.36" (Ø)

## WARNING & ATTENTION

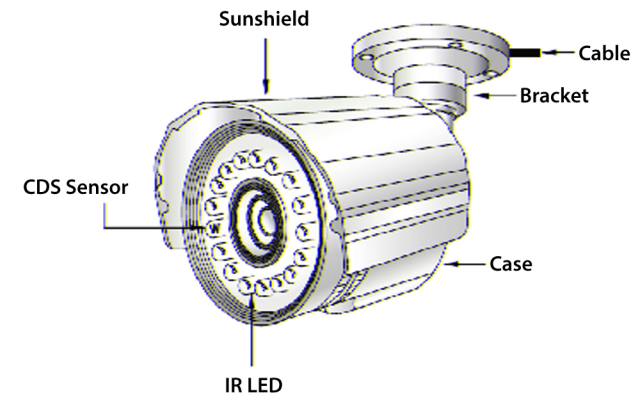
	<b>CAUTION</b> RISK OF ELECTRIC SHOCK DO NOT OPEN!	
TO REDUCE THE RISK OF ELECTRICAL SHOCK, DO NOT OPEN COVERS (OR BACK). NO USER SERVICEABLE PARTS INSIDE. REFER SERVICING TO QUALIFIED SERVICE PERSONNEL.		

## INDIVIDUAL WARNINGS

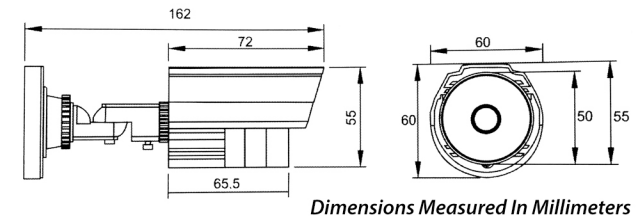
- ▶ Do not attempt to service this video product by yourself, as taking apart the camera may expose you to dangerous voltage or other hazards.
- ▶ Please comply with all electrical safety standards during installation and operation.
- ▶ In order to prevent damage caused by fire or electrical shock, please do not submerge camera in water or expose any open parts to liquid.
- ▶ Do not expose the lens directly to the sun or to strong light as this may damage the image sensor.
- ▶ There are some sophisticated parts inside this camera, therefore always handle with care in order to avoid any internal damage to the camera.
- ▶ Make sure to use the appropriate power supply and that the power is plugged into the camera correctly and securely. Do not switch on power until after the camera connection is complete. This camera requires 12 Volt DC, 1 Amp and can be powered using either a power adapter OR a power box by using the included male pigtail, which is pictured below.



## CAMERA PARTS



## CAMERA DIMENSIONS



## TROUBLESHOOTING TIPS

### NO VIDEO OUTPUT:

- ▶ Check the power cable to the power box or wall outlet. Make sure **the power connections are secure.**
- ▶ If you are using a multiple output power box, make sure **the power switch is in the "ON" position** and that **all fuses are illuminated.**
- ▶ If you are using a multiple output power box, make sure **the POSITIVE (+) and NEGATIVE (-) wires are properly connected.**
- ▶ Check the BNC video cable running from the camera to the video input on the DVR or display. If you are using pre-made cable, make sure **the BNC connections are secure.** If you are using a spool of cable (RG59), make sure **the outer copper wire is not touching the center pin** when fitting the cable ends with BNC connectors.