

# Change Monitor Resolution Diagram

## Required Items



*Standard TV with RCA Plug ins*



*RCA Cables*

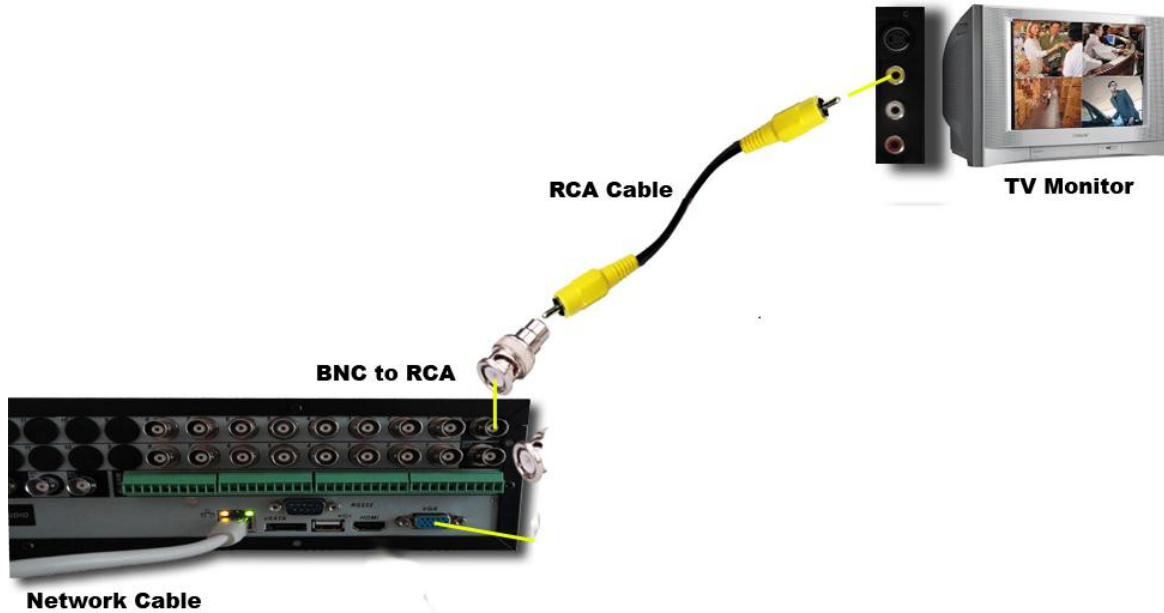


*BNC to RCA*

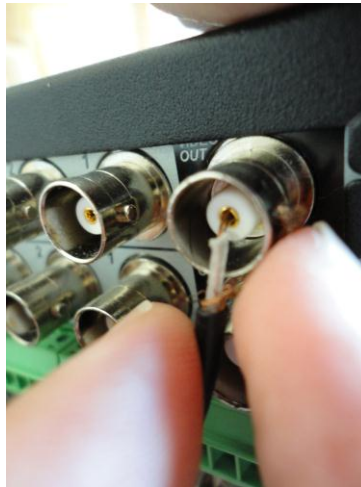


*Scissors*

## Analog Connection



**Plug in the RCA cable into the TV and connect to the BNC to RCA converter into the DVR**  
*if you don't have a BNC to RCA you must cut the RCA cable shown below*



**Strip one side of the RCA cable and you will find 2 sets of cable one is wrapped in another shield which we will need to strip as well (+) and the other will be stranded wire (Ground)**

Once you have stripped the cable you must put the + plug into the pinhole and touch the ground cable onto the outer part of the BNC connection. This will give you analog video on the TV. Once the Image has appeared proceed below

**Please make sure that you are in the correct "video input" in the back of the TV and in the right Channel on the TV ex: Video 1**

## DVR Menu

Please proceed by right clicking on the screen and going to main  
Menu → Settings → Display

DISPLAY	
GUI	
Transparency	200
Time Display	<input type="checkbox"/>
Resolution	1024x768
Enable Tour	<input type="checkbox"/>
View 1	7 8
View 4	7 8
View 8	7 8
View 9	1
Motion Tour Type	View 1
Alarm Tour Type	View 1
Channel Name	Modify
Channel Display	<input type="checkbox"/>
Interval	5 sec.
Default	Save Cancel

Once in the display section you must change the resolution to your  
Digital monitor's native resolution

(Standard monitors are usually at 1024 x 768)