

GV-1008

The GV-1008, as a three-in-one combo card, provides one single card solution for 8 video/audio recording, real-time display and TV-out display. The Card can record each channel at D1 in real time or 30 fps. When the two Cards are installed in the system, it can be utilized to provide a single TV-out display of 16 cameras and maintain a high recording rate of 480 fps at D1 resolution.

Minimum System Requirements

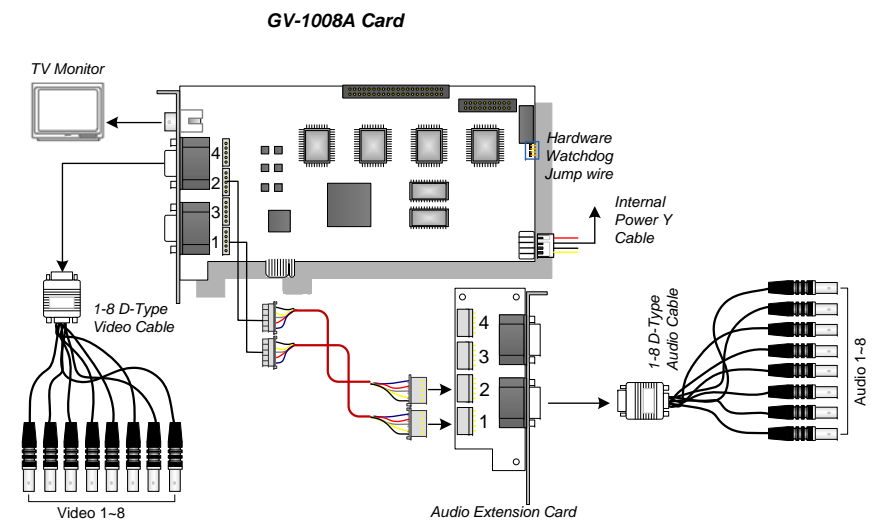
OS	32-bit	Windows XP / Windows Vista / Windows 7 / Windows Server 2008	
	64-bit	Windows 7 / Windows Server 2008	
CPU	GV-1008	Core 2 Duo, 3.0 GHz	
	GV-1008 x 2	Core i5-750, 2.66 GHz	
RAM	Windows XP	GV-1008	2 x 512 MB Dual Channels
		GV-1008 x 2	2 x 1 GB Dual Channels
	Windows Vista / 7 / Server 2008	GV-1008	2 x 1 GB Dual Channels
		GV-1008 x 2	2 x 1 GB Dual Channels
HDD	GV-1008	250 GB	
	GV-1008 x 2	500 GB	
VGA	ATI Radeon X1300 PCI-E / NVIDIA GeForce 7300 PCI-E		
DirectX	9.0c		

Packing List

1. GV-1008 Card x 1
2. Audio Extension Card x 1
3. 1-8 D-Type Video Cable x 1
4. 1-8 D-Type Audio Cable x 1
5. 40-Pin Ribbon Cable with 3 headers x 1
6. Internal Power Y Cable x 1
7. Hardware Watchdog Jumper Wire
8. Software CD x 1
9. Feature Guide x 1
10. Installation Guide x 1

Connecting One GV-1008 Card

- Plug the Audio Extension Card in the assigned connectors on the GV-1008 Card.
- Connect D-Type video cable and audio cable to the GV-1008 Card and Audio Extension Card respectively.
- Connect the PC's internal power supply to the GV-1008 Card.
- Connect the TV monitor to the GV-1008 Card if needed.



Note: The Card only works when it connects to PC's power supply with the supplied Internal Power Y Cable.

Connecting Two GV-1008 Cards

You can install the Master and Slave of GV-1008 Cards for a total of 16 channels. The Master and Slave are distinguished by the labels on cards, as shown below:

Master Card: 

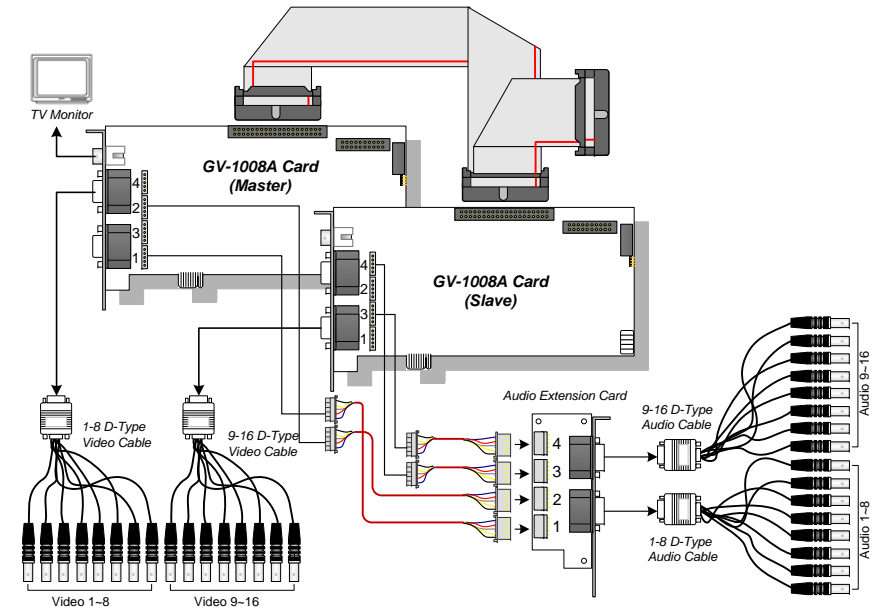
Slave Card: 

Use the supplied 40-pin cable to connect the Master and Slave Cards together.

IMPORTANT:

1. The Slave Cards cannot work alone. They need to work in conjunction with the Master Cards.
2. If both GV-1008 Cards are Master Cards, it is required to identify which are Master and Slave by the PCI slot number. Normally, the card attached to the lower PCI slot number will act as Master, and the card attached to the higher PCI slot number will act as Slave.

- **Video Channels:** Connect only Video Channels 1~8 of the Master Card and Video Channels 9~16 of the Slave Card with the supplied D-Type Video Cables
- **Audio channels:** Connect only Audio Channels 1~8 of the Master Card and Audio Channels 9~16 of the Slave Card to Audio Extension Card.
- **TV Output Connection:** Connect a TV Monitor to any of the RCA connectors on the Master and Slave Cards for displaying 1-16 channels.
- **Hardware Watchdog Connection:** Connect the supplied Hardware Watchdog Jump Wire to the Master Card.
- **Accessory Card Connections:**
 - ⊙ GV-NET/IO Card: Connect the card only to the Master Card.
 - ⊙ GV-Loop Through Card: Connect one card to the 40-pin cable which connects both Master and Slave Cards.
 - ⊙ GV-Multi Quad Card: Connect one card to the 40-pin cable which connects both Master and Slave Cards.



Specifications

		GV-1008	GV-1008 x 2	
Input Type	D-Type	DB 15 x 1 (Video) DB 9 x 1 (Audio)	DB 15 x 2 (Video) DB 9 x 2 (Audio)	
	DVI-Type	DV1 x 1 (Video) DVI x 1 (Audio)	DV1 x 2 (Video) DVI x 2 (Audio)	
Video Input		8 Cams	16 Cams	
TV Output		RCA Connector x 1		
Audio Input		8 Channels	16 Channels	
Recording Rate	CIF	NTSC	240 fps	480 fps
		PAL	200 fps	400 fps
	D1	NTSC	240 fps	480 fps
		PAL	200 fps	400 fps
Display Rate	CIF	NTSC	240 fps	480 fps
		PAL	200 fps	400 fps
	D1	NTSC	240 fps	480 fps
		PAL	200 fps	400 fps
Video Resolution	NTSC	720 x 480, 720 x 480 (De-interlace), 640 x 480, 640 X 480 (De-interlace), 360 x 240, 320 x 240		
	PAL	720 x 576, 720 x 576 (De-interlace), 640 x 480, 640 X 480 (De-interlace), 360 x 288, 320 x 240		
Video Compression Format		Geo MPEG4, Geo MPEG4 (ASP), Geo H264, Geo H264 V2		
Audio Compression Format		G.711		
GV-Multi Quad Card Support		Yes		
GV-Loop Through Card Support		Yes		
GV-NET/IO Card Support		Yes		
Dimensions (W x H)		179 x 99 (mm) / 7.04 x3.89 (in)		