

## GV-BX320D 3M H.264 D/N Box IP Cam



- 3 megapixel progressive scan CMOS
- Dual video streams from two of H.264, MJPEG and MPEG4
- Up to 20 fps at 2048 x 1536, 30fps at 1920 x 1080
- Built-in / external microphone
- 2-way audio
- One sensor input and alarm output
- TV-out support
- Motion detection
- Tampering alarm
- Privacy mask
- IP address filtering
- 3GPP/ISMA
- DC 12V / PoE
- Day / Night function
- Varifocal megapixel lens
- 16 languages on Web interface

### Active Tampering Alarm

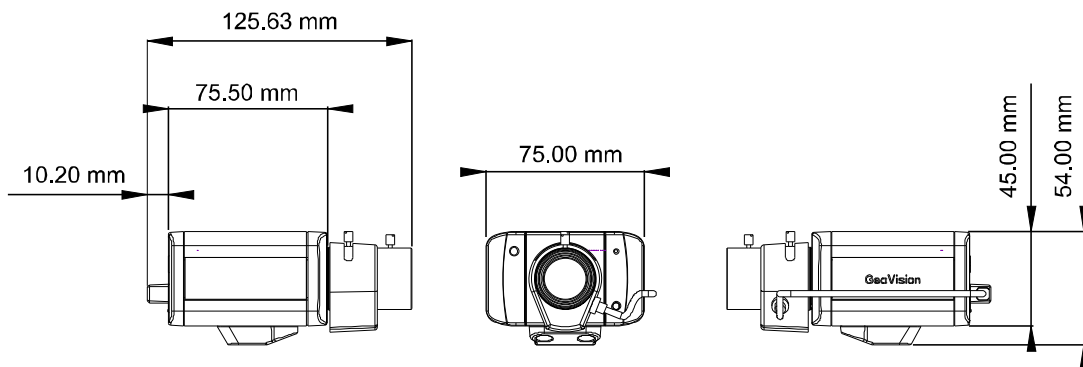
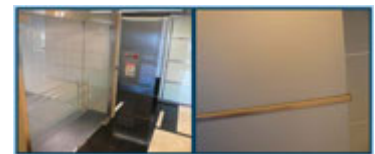
Tampered



Focus Change



Camera Shift



### SPECIFICATIONS

Camera		
Image Sensor	1/2.5" progressive scan CMOS	
Picture Elements	2048 (H) x 1536 (V)	
Minimum Illumination	Color	1 Lux (1/30 sec), 0.5 Lux (1/5 sec)
	B/W	0.2 Lux (1/30 sec), 0.1 Lux (1/5 sec)
	IR ON	0 Lux
Shutter Speed	Automatic, Manual (1/5 ~ 1/8000 sec)	
White Balance	Automatic, Manual (2800K ~ 8500K)	
Lens		
Megapixel	Yes	
IR Support	Yes	
Iris	DC Drive	
Focal Length	3.1 ~ 8 mm	
Max Aperture	F / 1.2	
Mount	CS Mount	
Image Format	1/3"	
Angle of view	Diagonal	108.70° ~ 41.21°
	Horizontal	86.96° ~ 32.97°
	Vertical	65.22° ~ 24.73°

Operation	Focus	Manual (w / lock)
	Zoom	Manual (w / lock)
	Iris	DC
<b>Operation</b>		
Video Codec	H.264, MPEG4, MJPEG	
Video Streaming	Dual Streams from two of H.264, MPEG4 and MJPEG	
Frame Rate	20 fps at 2048 x 1536, 30 fps at 1920 x 1080 * The frame rate and the performance may vary depending on the number of connections and data bitrates (different scenes).	
Image Setting	Brightness, Contrast, Sharpness, Gamma, White Balance, Flicker-less, Image Orientation	
Audio Codec	G.711	
Input	1 Input (Dry Contact)	
Output	1 Digital Output	
<b>Video Resolution</b>		
Main Stream	4:3	2048 x 1536, 1600 x 1200, 1280 x 960, 640 x 480, 320 x 240
	16:9	1920 x 1080, 1280 x 720, 640 x 360, 448 x 252
	5:4	1280 x 1024, 640 x 512, 320 x 256
Sub Stream	4:3	640 x 480, 320 x 240
	16:9	640 x 360, 448 x 252
	5:4	640 x 512, 320 x 256
<b>Network</b>		
Interface	10/100 Ethernet	
Ethernet Protocol	HTTP, TCP, UDP, SMTP, FTP, DHCP, NTP, UPnP, DynDNS, 3GPP/ISMA RTSP, PSIA	
<b>Mechanical</b>		
Lens Mounting	C / CS-Mount	
Connectors	Power	DC Jack
	Ethernet	RJ-45
	Audio	1 In (Using the built-in microphone or externally connecting a microphone) 1 Out (Stereo phone jack, 3.5 mm / 0.14 in)
	Digital I/O	3-pin terminal block, pitch 2.5 mm / 0.1 in
	Auto Iris	DC drive
	Local Storage	Mini or micro SD/SDHC memory card slot
	TV-Out	BNC connector
LED Indicator	2 LEDs: Power, Status	
<b>General</b>		
Operating Temperature	0 °C ~ 50 °C / 32 °F ~ 122 °F	
Humidity	10% to 90% (no condensation)	
Power Source	12V DC / PoE	
Power Consumption	5 W (max. 416 mA at 12V DC)	
Regulatory	CE, FCC, C-Tick, RoHS compliant	
Dimensions (L X W X H)	76 x 74.9 x 54.3 mm / 2.99 x 2.95 x 2.14 in (without lens)	
Weight	321 g / 0.71 lb	
<b>Power over Ethernet</b>		
PoE Standard	IEEE 802.3af Power over Ethernet / PSE	
PoE Power Supply Type	End-Span	
PoE Power Output	Per Port 48V DC, 350mA. Max. 15.4 watts	
<b>Web Interface</b>		
Installation Management	Web-based configuration	
Maintenance	Firmware upgrade through Web Browser	
Access from Web Browser	Camera live view, video recording, change video quality, bandwidth control, image snapshot, digital I/O control, audio, Picture in Picture, Picture and Picture, Privacy Mask, Visual Automation, Tampering Alarm	
Language	Czech / Danish / English / French / German / Hebrew / Hungarian / Italian / Japanese / Polish / Portuguese / Russian / Serbian / Simplified Chinese / Spanish / Traditional Chinese	
<b>Applications</b>		
Network Storage	GV-NVR, GV-System	
3G Mobile Phone	Built-in player for 3GPP / ISMA	
Live Viewing	IE , GV-MultiView	
CMS Server support	GV-Control Center, GV-Center V2, GV-VSM, GV-GIS	

**Note:** Specifications are subject to change without notice.