

## GV-BX120D 1.3M H.264 Low Lux D/N Box IP Camera



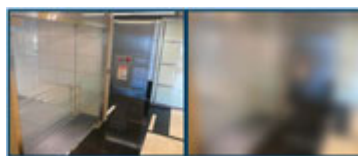
- 1.3 megapixel progressive scan CMOS
- Dual video streams from two of H.264, MJPEG and MPEG4
- Up to 30 fps at 1280 x 1024
- Built-in / external microphone
- 2-way audio
- One sensor input and alarm output
- TV-out support
- Motion detection
- Tampering alarm
- Privacy mask
- IP address filtering
- 3GPP/ISMA
- DC 12V / PoE
- Day / Night function
- Varifocal megapixel lens
- 16 languages on Web interface

### Active Tampering Alarm

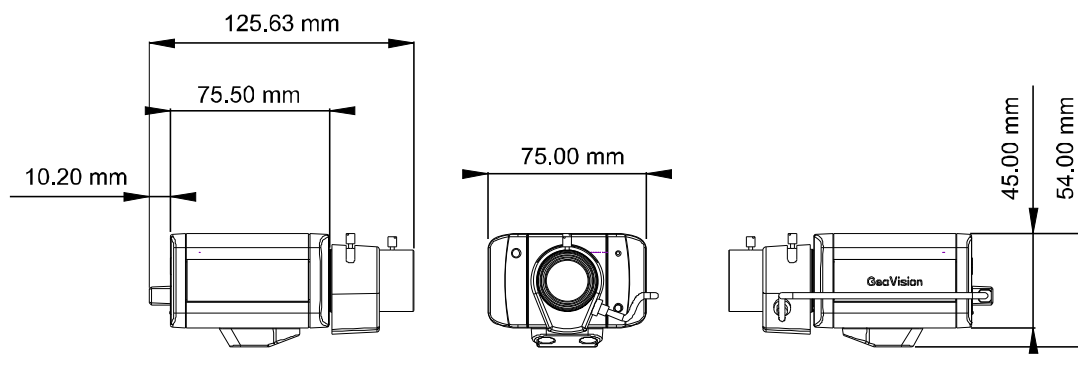
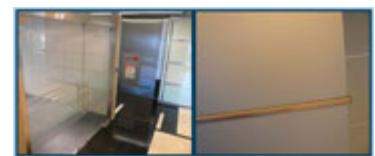
Tampered



Focus Change



Camera Shift



### SPECIFICATIONS

Camera		
Image Sensor	1/3" progressive scan CMOS	
Picture Elements	1280 (H) x 1024 (V)	
Minimum Illumination	Color	0.15 Lux (1/30 sec), 0.08 Lux (1/5 sec)
	B/W	0.08 Lux (1/30 sec), 0.04 Lux (1/5 sec)
	IR ON	0 Lux
Shutter Speed	Automatic, Manual (1/5 ~ 1/8000 sec)	
White Balance	Automatic, Manual (2800K ~ 8500K)	
Lens		
Megapixel	Yes	
IR Support	Yes	
Iris	DC Drive	
Focal Length	2.8 ~ 12 mm	
Max Aperture	F / 1.4	
Mount	CS Mount	
Image Format	1/3"	

Angle of view	Diagonal	115° ~ 45.3°
	Horizontal	92° ~ 27.2°
	Vertical	69° ~ 20.4°
Operation	Focus	Manual (w / lock)
	Zoom	Manual (w / lock)
	Iris	DC

### Operation

Video Codec	H.264, MPEG4, MJPEG
Video Streaming	Dual Streams from two of H.264, MPEG4 and MJPEG
Frame Rate	30 fps at 1280 x 1024 * The frame rate and the performance may vary depending on the number of connections and data bitrates (different scenes).
Image Setting	Brightness, Contrast, Sharpness, Gamma, White Balance, Flicker-less, Image Orientation
Audio Codec	G.711
Input	1 Input (Dry Contact)
Output	1 Digital Output

### Network

Interface	10/100 Ethernet
Ethernet Protocol	HTTP, TCP, UDP, SMTP, FTP, DHCP, NTP, UPnP, DynDNS, 3GPP/ISMA RTSP, PSIA

### Mechanical

Lens Mounting	C / CS-Mount	
Connectors	Power	DC Jack
	Ethernet	RJ-45
	Audio	1 In (Using the built-in microphone or externally connecting a microphone) 1 Out (Stereo phone jack, 3.5 mm / 0.14 in)
	Digital I/O	3-pin terminal block, pitch 2.5 mm / 0.1 in
	Auto Iris	DC drive
	Local Storage	Mini or micro SD/SDHC memory card slot
	TV-Out	BNC connector
LED Indicator	2 LEDs: Power, Status	

### General

Operating Temperature	0 °C ~ 50 °C / 32 °F ~ 122 °F
Humidity	10% to 90% (no condensation)
Power Source	12V DC / PoE
Power Consumption	5 W (max. 416 mA at 12V DC)
Regulatory	CE, FCC, C-Tick, RoHS compliant
Dimensions (L X W X H)	76 x 74.9 x 54.3 mm / 2.99 x 2.95 x 2.14 in (without lens)
Weight	321 g / 0.71 lb

### Power over Ethernet

PoE Standard	IEEE 802.3af Power over Ethernet / PSE
PoE Power Supply Type	End-Span
PoE Power Output	Per Port 48V DC, 350mA. Max. 15.4 watts

### Web Interface

Installation Management	Web-based configuration
Maintenance	Firmware upgrade through Web Browser
Access from Web Browser	Camera live view, video recording, change video quality, bandwidth control, image snapshot, digital I/O control, audio, Picture in Picture, Picture and Picture, Privacy Mask, Visual Automation, Tampering Alarm
Language	Czech / Danish / English / French / German / Hebrew / Hungarian / Italian / Japanese / Polish / Portuguese / Russian / Serbian / Simplified Chinese / Spanish / Traditional Chinese

### Applications

Network Storage	GV-NVR, GV-System
3G Mobile Phone	Built-in player for 3GPP / ISMA
Live Viewing	IE, GV-MultiView
CMS Server support	GV-Control Center, GV-Center V2, GV-VSM, GV-GIS

**Note:** Specifications are subject to change without notice.